

REVISIONS				
LTR	DESCRIPTION	DATE	DMN	AP/VD
A	RELEASED	20/07/02	AW	WJK

材质说明(Notes):

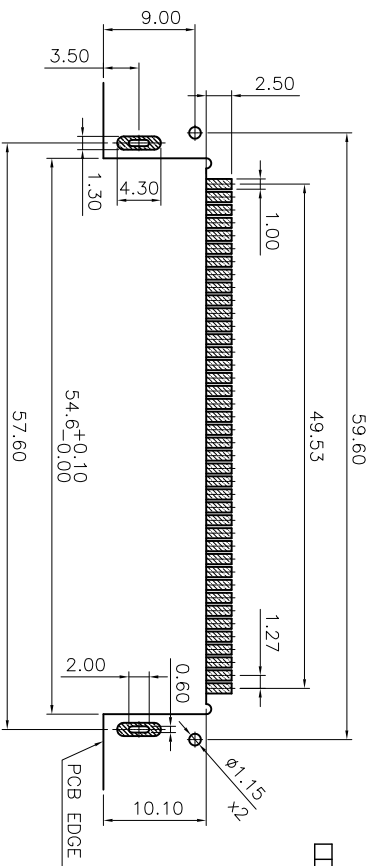
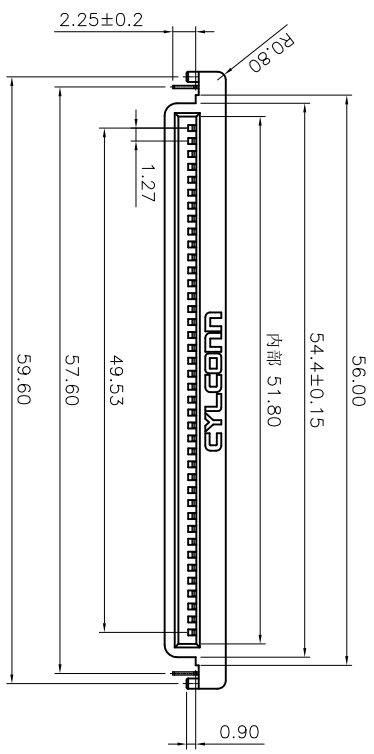
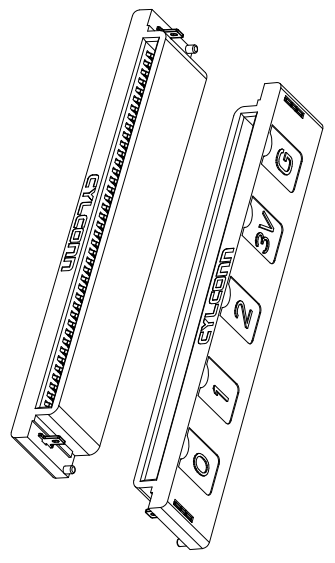
- 塑胶主体: LCP 加玻纤30%防火等级 UL94V-0, 颜色: 黑色。(HOUSING: LCP WITH 30% GF, UL 94V-0, COLOR: Black.)
- 端子: 磷铜, T=0.25。(CONTACTS: PHOSPHOR BRONZE; 0.25 THICKNESS.)
- 固定片: 黄铜, T=0.30。(LATCH :BRASS.)

机械特性(MECHANICAL PROPERTY):

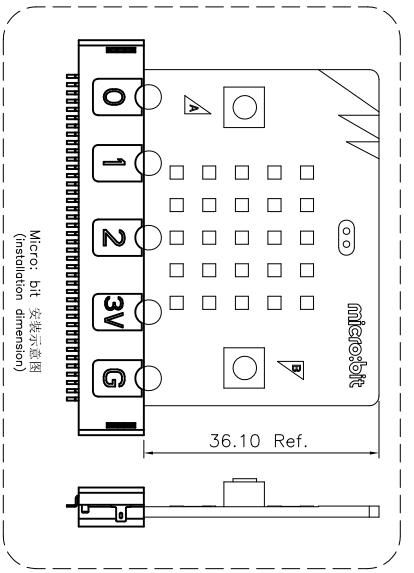
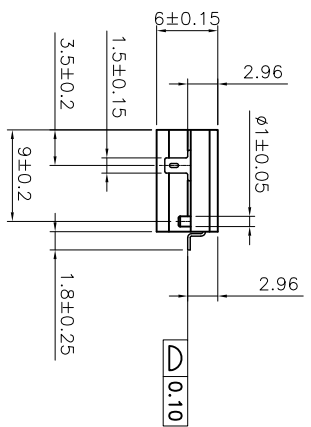
- 插接寿命: 1500次。
- UNMATING AND MATING LIFE : 1500 CYCLES.

电气特性(ELECTRIC PROPERTY):

- 额定电压: 250V AC。(Voltage: 250 volts AC)
- 额定电流: 1AMP。(Current: 1.0 amperes.)
- 接触阻抗: 30 mΩ。(Low level contact resistance: 30 mΩ)
- 绝缘阻抗: 1000 MΩ, 500V DV。(Insulation resistance:1000 MΩ, 500V DV)
- 耐电压: 500V 1Minute。(Dielectric withstanding voltage:500V 1Minute)



TOLERANCE: ±0.05  
RECOMMENDED PCB LAYOUT  
(TOP VIEW)



THIS DRAWING IS A CONTROLLED DOCUMENT.

DIMENSIONS: mm  
TOLERANCES UNLESS OTHERWISE SPECIFIED:

0 PLC	± 0.50
1 PLC	± 0.30
2 PLC	± 0.20
3 PLC	± 0.15
4 PLC	± -
ANGLES	± 3'

成品料号 (Part number)	MIC127-140-001
品名规格 (Part name)	Micro Bit-connector_40p 90度 沉板 SMT Au3u" LCP 黑色

DMN	A. WU	2020/07/02
CHECK	S. CHIEN	2020/07/02
AP/VD	Abel	2020/07/02

NAME	Micro Bit-connector_40p 90度 沉板 SMT Au3u"
PRODUCT SPEC	LCP 黑色

SIZE	A4
DRAWING No.	YL-ED-0XXXX
WEIGHT	

CUSTOMER DRAWING	SCALE	1 : 1	SHEET	1 OF 1
------------------	-------	-------	-------	--------